

SERVICE MANUAL 1-15DS Global

VERSION 3.1



Index

1. Spare parts	03
2. Maintenance box	12
Contact	



1. Spare parts

Fig. 01

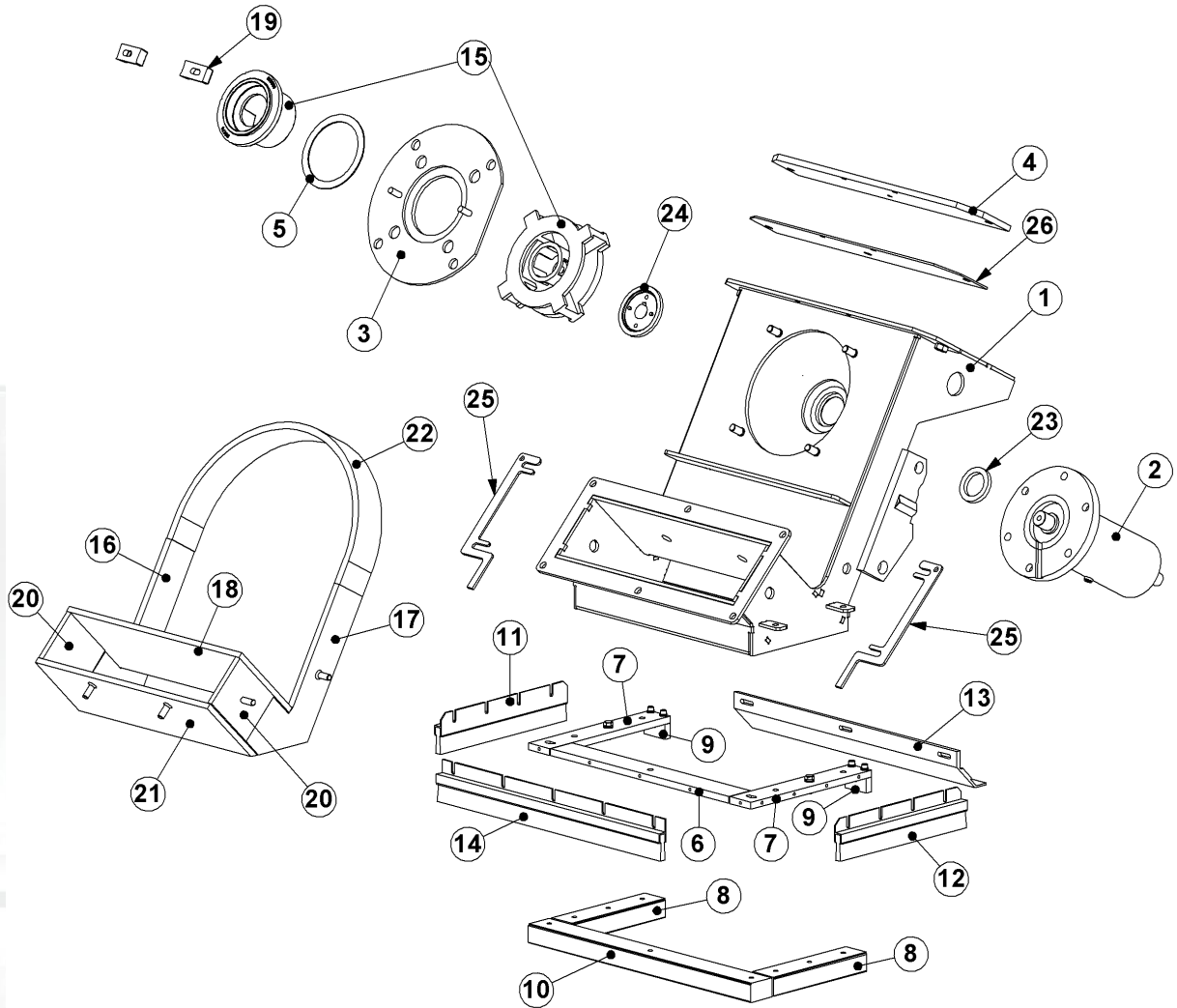


Fig. 01

Item	Part number	Description	Qty.
1	E00751	Blasthousing 1-15DS Global	1
2	E00842	Bearing unit complete	1
3	979644	Blastwheel cover plate	1
4	B20458	Blasthousing cover	1
5	972781	Control cage shim	1
6	971851	Insulator front	1
7	489945	Insulator side	2
8	490047	Magnet side	2
9	481350	Spacer side magnet rear	2
10	971884	Magnet front	1
11	E00458	Side brush LH	1
12	E00457	Side brush RH	1
13	682652	Skid seal	1
14	B20412	Front brush	1
15	B20536K	Tune up kit	1
16	B20394	Side liner left hand	1
17	B20395	Side liner right hand	1
18	970151	Plenum top liner	1
19	969803	Control cage clamp	2
20	970153	Plenum bottom side liner	2
21	970152	Plenum bottom	1
22	B20907	Top liner	1
23	B20295	Felt seal Ø60x8	1
24	B20397	Hub	1
25	P003047	Blast pattern indicator	2
26	B20454	Gasket blast housing cover	1

Fig. 02

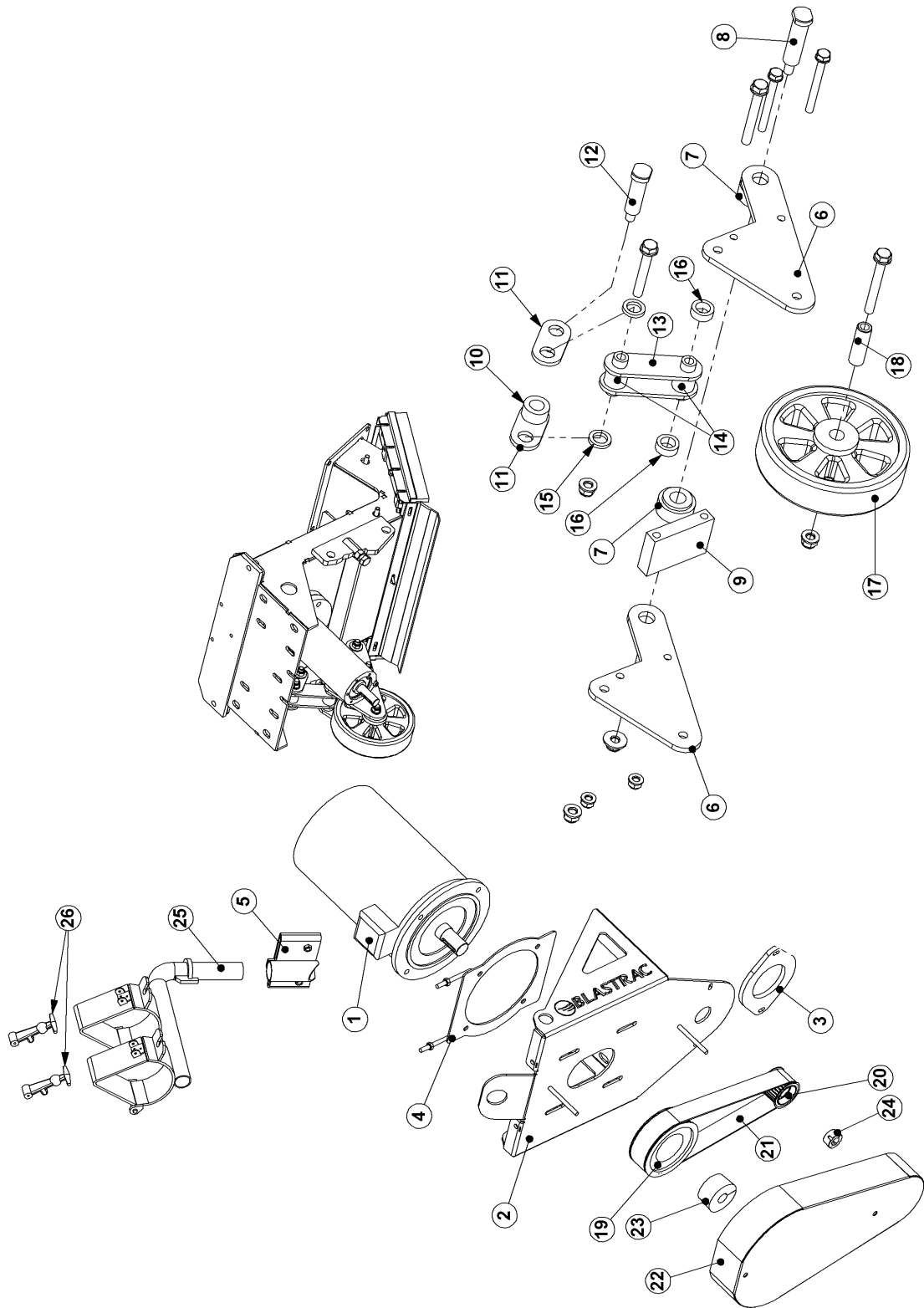


Fig. 02

Item	Part number	Description	Remarks	Qty.
1	E06511-IE2	Blastmotor 15 kW		1
2	E06512	Motorbracket		1
3	E06940	Dust plate		1
4	E06513	Fill up plate blastmotor		1
5	E00745	Cable guide bracket		1
6	E06465	Wheel bracket side plate		4
7	E06472	Wheel bracket bush		4
8	E06468	Bottom bolt		2
9	E06475	Distance plate		2
10	E06474	Lever bush top		4
11	E06467	Top lever		4
12	E06469	Top bolt		2
13	E06466	Bottom lever		4
14	E06471	Lever shaft		4
15	E06855	Lever bush middle		4
16	E06473	Lever bush bottom		4
17	B20842	Wheel		2
18	E06470	Idler wheel bush		2
19	B20429/1	Pulley	50Hz	1
	B21340	Pulley	60Hz	1
20	B20430/1	Pulley	50Hz	1
	B21341	Pulley	60Hz	1
21	B20428	Belt	50Hz	1
	E04009	Belt	60Hz	1
22	B20224	Pulley guard		1
23	E00425	Taperlock		1
24	222-2172-V	Taper lock		1
25	E00746	Cable guide		1
26	500-1195	Rubber latch assy		2

Fig. 03

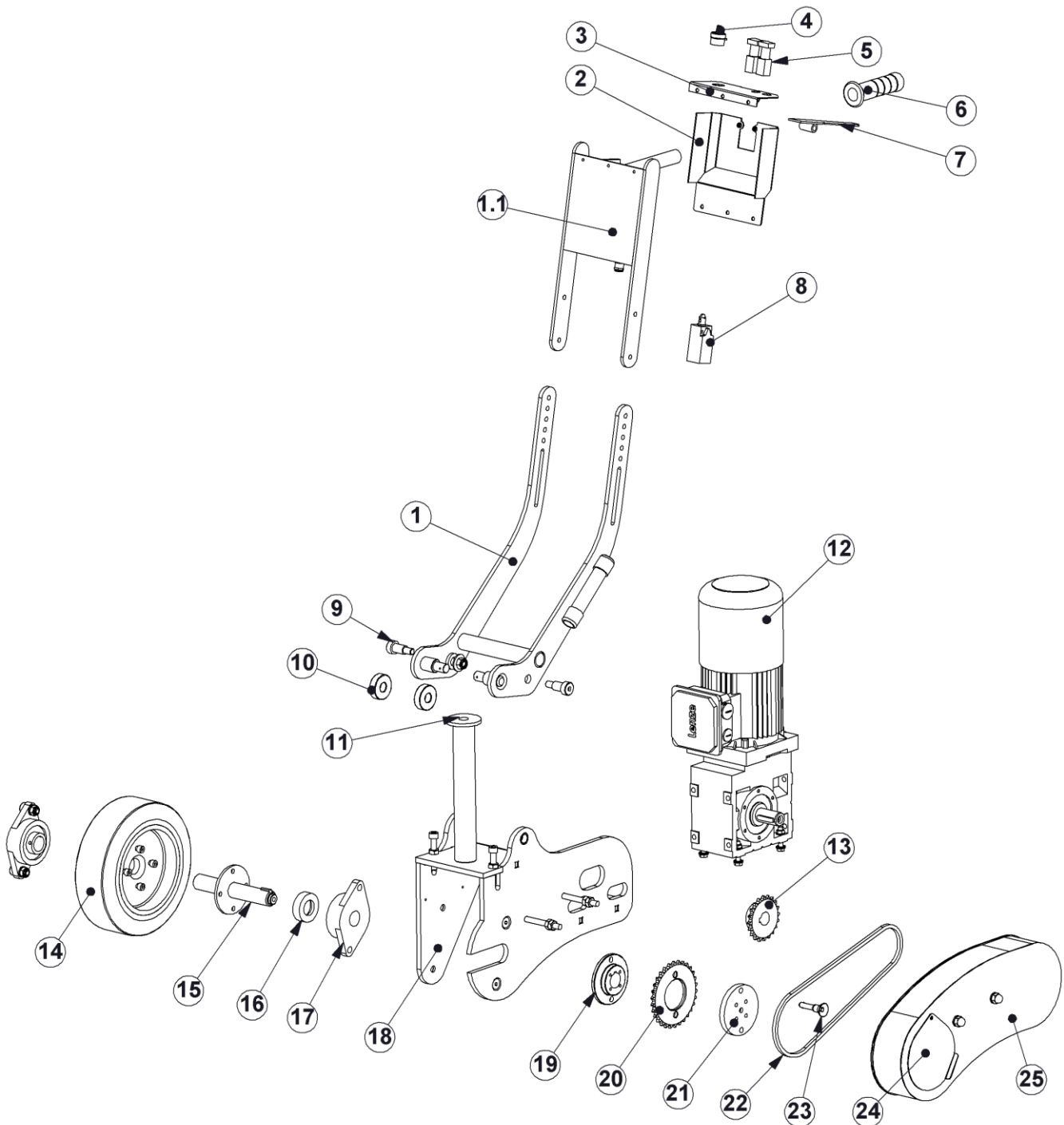


Fig. 03

Item	Part number	Description	Remarks	Qty.
1	E10579	Handle lower part		1
1.1	E06143	Handle top part		1
2	E00740	Control box		1
3	E00741	Control box top plate		1
4	E00866	Potention meter complete (consists out of item 4.1 & 4.2)		1
4.1	E00866/1	Potmeter only with soldered contact block		1
4.2	E00866/2	Potmeter holder		1
5	E00867	Switch		2
6	453290	Handle grip		1
7	E00743	Switch lever		1
8	454796	Limit switch		1
9	E00738	Handle pin		2
10	B20517	Bearing		2
11	971860	Washer for yoke shaft		1
12	E00646-1	Drive motor 0,75 kW	USA	1
	E00664-1	Drive motor 1,1 kW		1
	E00664/1	Brake complete for drive motor		
	E00646/2	Fan cover complete for drive motor		
	E00664/2	Cooling fan for drive motor		
13	E00641	Sprocket		1
14	476405-1	Traction wheel		1
15	E00742	Drive wheel shaft		1
16	E07293	Distance bush drive wheel		1
17	009324	Bearing drive wheel		2
18	E00739	Drive wheel bracket		1
19	488551	Hub		1
20	477631	Idler sprocket		1
21	477630	Sprocket retainer		1
22	E00237	Chain		0.9m
22.1	E00238	Chain link		1
23	478198	Quick release pin		1
24	979971	Cover plate chain guard		1
25	E00744	Chain guard		1

Fig. 04

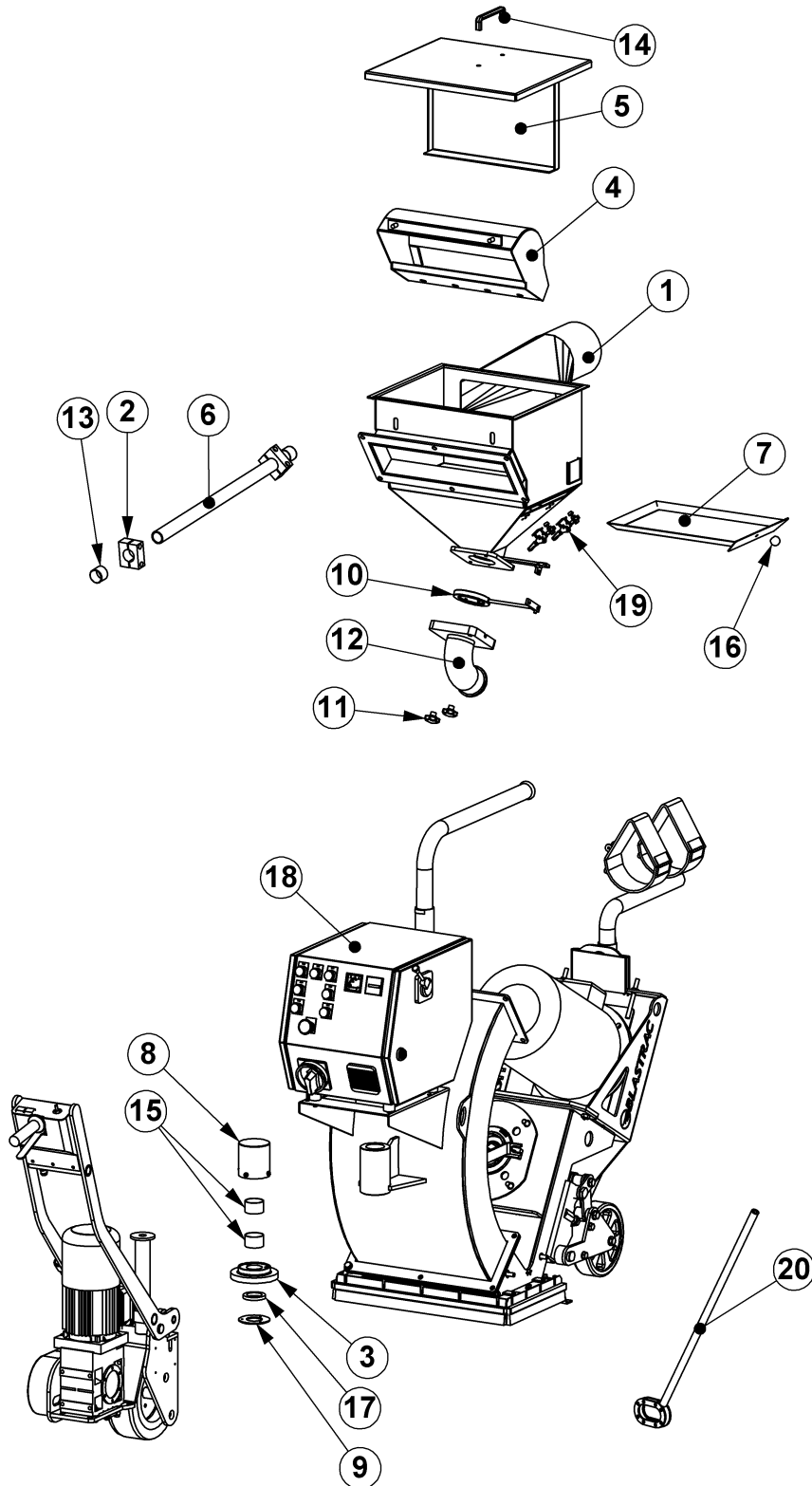
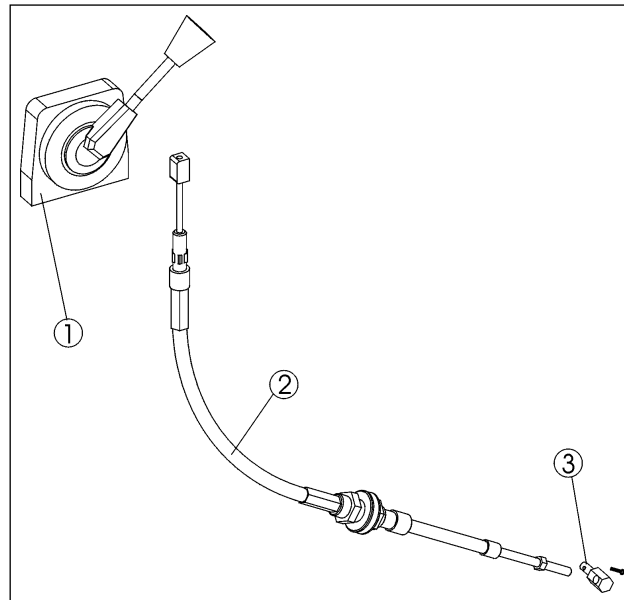


Fig. 04

Item	Part number	Description	Qty.
1	B20393	Separator	1
2	B21338	Pipe clamp.35mm (set of 2)	2
3	B20511	Lifting plate	1
4	B20262	Deflector	1
5	B20263	Separator cover	1
6	B21969	Cable tube	1
7	B20264	Separator tray	1
8	B20515	Shaft cover	1
9	B20512	Seal retainer	1
10	B20444	Magnetic valve assembly	1
11	000213	Clamp knob	2
12	B20443	Feed spout	1
13	E00337	Cable protection cap	2
14	970385	Handle	1
15	971341	Sleeve-bearing bush	2
16	B21325	Ball head for separator	1
17	B20295	Felt seal	1
18	E06540	Electrobox 1-15DS Global	1
19	001084	Clamp for separator tray	2
20	B21917	Lever	1

Fig. 05



Item	Part number	Description	Qty.
1	B20519	Abrasive control lever	1
2	B20520	Abrasive control cable	1
3	B20521	Pivot for abrasive control cable	1



2. Maintenance box

Item	Part number	Description	Qty.
1	001071	Metal box 1-15DS	1
2	B20536K	Tune-up kit	3
3	B20394	Left liner	1
4	B20395	Right liner	1
5	B20907	Top liner	1
6	B20520	Abrasive control cable	1
7	B20428	Belt	1
8	E00457	Side brush right	2
9	E00458	Side brush left	2
10	B20412	Front brush	2
11	682652	Skid seal	1
12	001017	Open-end spanner 10 x 11	1
13	001018	Open-end spanner 13 x 15	1
14	001019	Open-end spanner 17 x 19	1
15	001042	Open-end spanner 24 x 26	1
16	001036	Ring spanner 8 x 9	1
17	000114	Ratchet spanner ½"	1
18	000146	Box spanner 13	1
19	000147	Box spanner 17	1
20	000148	Box spanner 19	1
21	000149	Box spanner 24	1
22	000150	Box spanner SW 8mm 120lg	1
23	001033	Allenkey 3	1
24	001016	Allenkey 6	1
25	001032	Screwdriver 5,5 x 100	1
26	001035	Insulated screwdriver	1
27	001056	Water pump pliers	1
28	000151	Hammer	1
29	001031	Safety glasses	1
30	000117	Maintenance box complete	1



Blastrac
13201 North Santa Fe Avenue
Oklahoma City, OK 73114
800-256-3440
Fax: 866-485-1046
www.blastrac.com

